

GlassOuse

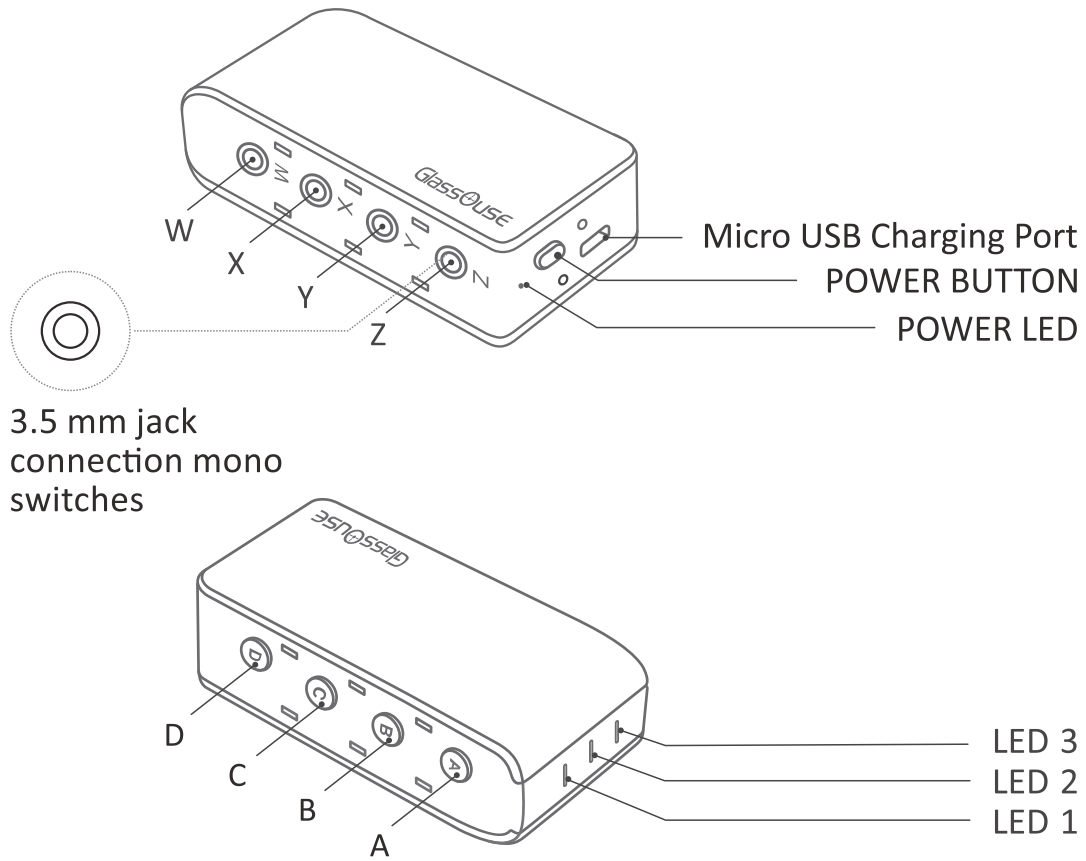
Assistive Device

www.glassouse.com

GlassOuse Link

User Manual

DEVICE DESCRIPTION



COMPONENTS	DESCRIPTION
Power Button	Switch ON/OFF device
Power LED	Battery/Charging Status
A	Switch between different devices
B	Shift modes between Mouse Switch or Joystick, long press to pair
C	Change Mouse Sensitivity

COMPONENTS	DESCRIPTION
D	Calibrate; Show Keyboard
LED 1	Device 1
LED 2	Device 2
LED 3	Device 3
W, X, Y, Z	Connection ports for Mono /Dual Switches
USB Charging Port	Charge the Device

1. BT 4.0 CONNECTION

To connect GlassOuse Link via BT 4.0 to your device:

- Press the “Power” button. The LED 1 will flash.
- Press B button for 3 seconds - LED 1 will start flashing faster.
- Find and Link to “Axxx - M1 - GlassOuse Link” using your device’s scan option.
- When connected, LED 1 will be continuously BLUE, indicating GlassOuse Link is now connected as a mouse to your DEVICE.

2. CONNECTING GlassOuse Link TO OTHER DEVICES

- Press button A to make connection to a different device. You will notice that LED 2 will turn BLUE .
Connect 2nd device to GlassOuse via BT 4.0 by pressing B button for 3 seconds and pairing to “Axxx – M2 – GlassOuse Link” on your device’s BT 4.0 screen.
- After connection is established, LED 2 will be continuously BLUE, indicating GlassOuse Link is now as a mouse to your DEVICE 2.
- Similarly, you can connect your 3rd device with GlassOuse Link via Bluetooth.

*'Device-s' refers to mobile phone, laptop, tablet and smart TV to which GlassOuse connects and control.

3. SWITCHING BETWEEN CONNECTED DEVICES

Method 1: Press A on GlassOuse Link to switch between connected devices. The LED (1-3) corresponding to the device will light up.

Method 2: Activate the assistive switch connected to Z – Port.

NOTE: When you connect GlassOuse to a new device, it will stop working on the previously connected device and shift to the new device.

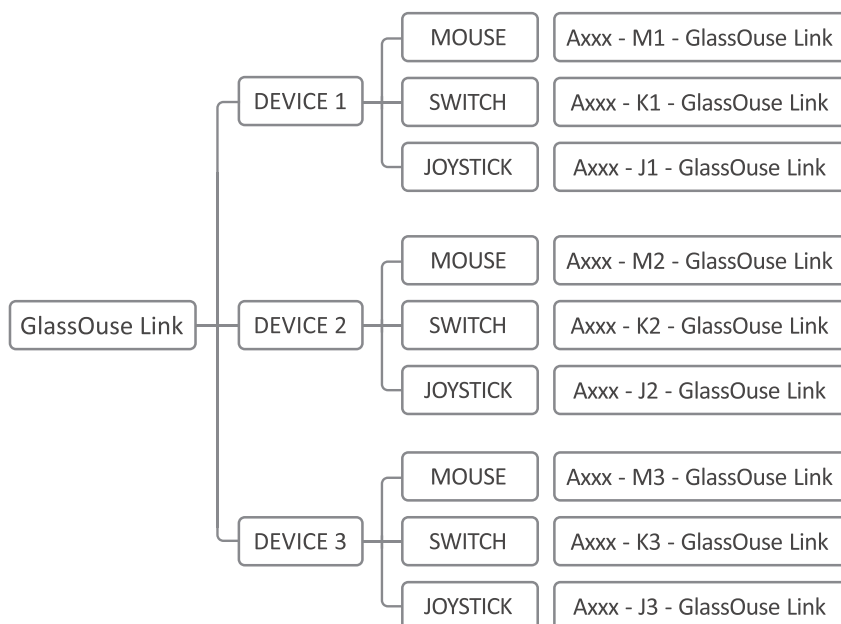
4. USING IN SWITCH CONTROL MODE

- In Switch mode, GlassOuse Link can be set as an external switch using in-device Switch Control (Switch Access) or any other switch control software compatible with your device.
External assistive switches connected to GlassOuse Link can be assigned different buttons using GlassOuse App.
- To show/hide the keyboard on your screen, activate the assistive switch connected to Y-port.

5. CONNECTING GlassOuse Link AS MOUSE / SWITCH / JOYSTICK FUNCTION

- GlassOuse Link can be connected as a Mouse, Switch, or Joystick, connecting as anyone function at a time to one device.
- Each medium has a defined color code::

Mouse	BLUE
Keyboard	RED
Joystick	GREEN



- To change the function on a device, you can either press the B button once (or use the assistive switch connected to Z-port). You will notice a blinking LED color of the desired function.
- Long press B again for 3 seconds to start pairing and connecting it with the selected BT 4.0 device.

NOTE:

One device can be connected to anyone function at a time.

6. CONNECTING G –SWITCHES

- GlassOuse Link features four external switch ports for external adaptive switches.
- All of them support Mono 3.5mm switches as well as Stereo (Dual) 3.5mm switches. You can connect two switches with different commands in one single port for any active function (Mouse, Switch, or Joystick).
- The Z – port is used to either ‘Switch the device’ or ‘Switch the function’ which can be set using GlassOuse App.
- Use GlassOuse App to change the functionality of the switch or use physical buttons.

7. USING GlassOuse Link WITH GlassOuse PRO AND GlassOuse V1.4

- GlassOuse Link can work simultaneously with GlassOuse PRO
- (Mouse, Switch & Joystick mode) and GlassOuse V1.4 (Mouse mode only) on the same paired device and act as a multi assistive switch control port for them.

NOTE: One device can generally have 3-4 active Bluetooth connection

- To use GlassOuse Link with GlassOuse PRO, make sure that both of the GlassOuse are connected to same device and in same mode and are active. To use them together on another device, do switch both the GlassOuse to new device simultaneously. Use GlassOuse APP to designated functions of assistive switches connected to GlassOuse Link for all paired devices.

8. POWER

- GlassOuse Link will enter Power Saving mode when not operated for more than 15 seconds by going into standby. Here all indicator lights will go off. After 3 minutes of Standby, if no action is performed, it will go into Sleep mode. To awaken the device, press any button.
- **Low Battery Indicator** – Power LED will become RED and flash quickly.
- **Charging** - Power LED will be Red and flash slowly
- **Fully Charged** – Power LED will be a constant RED

9. RESET

Long Press (D + Power Button) for 3 seconds to reset.

10. GlassOuse APP

- Connect GlassOuse Link to your device on which the app is installed. Login using your credentials or “Create Account”.
- Select the connected GlassOuse Link in the App

10.1 External Switch Settings

Assign the functions of each connected switch via GlassOuse Link

- Open Settings. Then select Switch Settings.
- Select PORT > Switch 1 or Switch 2, whichever switch command you want to change.
- Inside, you can change Mouse, Keyboard, and Joystick commands and set them as desired.

10.2 Changing Sensitivity

You can adjust the sensitivity of the mouse, keyboard, or joystick:

- Inside the app, open Settings.
- Click on Sensitivity Settings.
- Select the Device for which you want to adjust the sensitivity.
- Adjust the sensitivity for Mouse, Keyboard, and Joystick.

{NOTE: For mouse, you can adjust the X-Y axis separately}

10.3 Energy Saving Mode

Save GlassOuse Link battery by switching ON this option and using it for longer on one single charge.

10.4 Reset to Factory Setting

You can reset the device to default factory setting by selecting this option.

Manufacturer: EnnoPro Group Limited

Address: 7th Floor, Huarong Building, Qiaolian East, Bulong Road, Longgang District, 518129, Shenzhen, Guangdong, China

Phone: 0086-755-89205835(PBX)

Mail: support@glassouse.com

Web: www.glassouse.com