

GlassOUSE

Assistive Device

www.glassouse.com

GS10 360 Bite Switch

User Manual

GS10 360 BITE SWITCH

360 Bite Switch - the versatile assistive switch with unique design - that allows users to make a click by just biting anywhere on the silicon tip. The switch features a long flexible and adjustable wire, making it easy to use and connect to GlassOuse PRO, Link, V1.4, or any other assistive switch with 3.5mm jack support. The switch is IP68 rated for durability - tested for more than 100000 clicks under pressure and has been made from sturdy material ensuring reliability for long-term use. It can be easily cleaned by dipping the tip in warm water and wiping it clean with a soft cotton cloth or tissue.

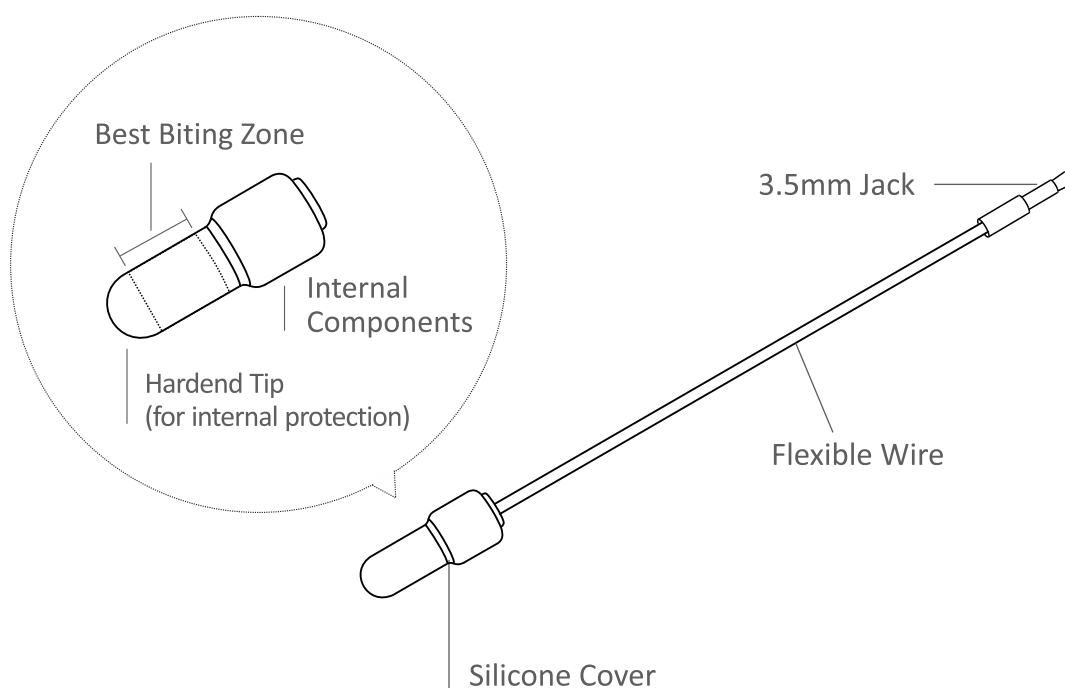
INSIDE THE BOX

360 Bite Switch Device

Replacement Silicon Tip

SPECIFICATIONS:

Dimensions	L: 213mm x W: 18.2mm x H: 10.5mm
Weight	8.7g
Cable Length	145m±5mm



SWITCH CONNECTION

1. Plug 360 Bite Switch to your GlassOuse or any other assistive device via mono 3.5mm jack.
2. Adjust the position of the Switch wire until you feel comfortable enough to do biting action.
3. Bite the switch to perform click on connected device.

WARNING:

Before cleaning the 360 Bite Switch, make sure that the electric circuitry is not visibly exposed. Also, do not let the 3.5mm jack touch the water.

Also make sure the switch is not connected to GlassOuse or any other device.

REPLACING THE SILICON TIP

- The 360 Bite Switch comes with an extra silicone tip, which can be replaced when the old tip becomes worn-out or unusable after prolonged use.
- Consider replacing the tip ONLY when the original tip has become broken or unusable, in order to protect both the switch and its internal components from potential damage.
- PLEASE CONTACT US FOR AN INSTRUCTIONAL VIDEO before changing the tip, as the original tip is strongly attached to the bite switch to maintain its IP68 rating.
- Failure to follow proper instructions may result in permanent damage to your switch!
- For instruction video, email: support@glassouse.com

Manufacturer: EnnoPro Group Limited
Address: 7th Floor, Huarong Building, Qiaolian East, Bulong Road, Longgang District, 518129, Shenzhen, Guangdong, China

Phone: 0086-755-89205835
Mail: support@glassouse.com
Web: www.glassouse.com