

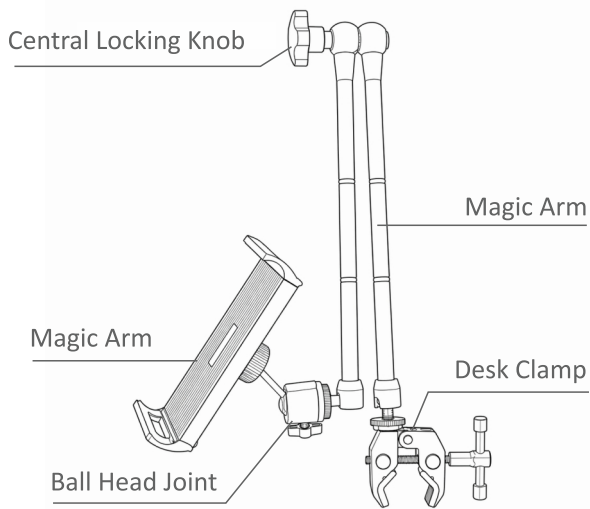
# GlassOUSE

Assistive Device

[www.glassouse.com](http://www.glassouse.com)

GM01 G-Mount Multi-Mount  
User Manual

## SPECIFICATIONS



<b>Model:</b> GM01 G- Mount Multi-Mount
<b>Material:</b> Aluminum Alloy + ABS + EVA
<b>Compatible Devices:</b> 4 - 13 inch phones and tablets
<b>Weight:</b> 580 g
<b>Max Load:</b> 800 g
<b>Clamping Range:</b> Clamp: fits surfaces up to 5 cm thick, such as desks or poles

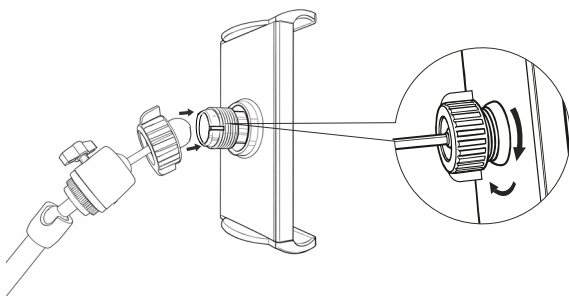
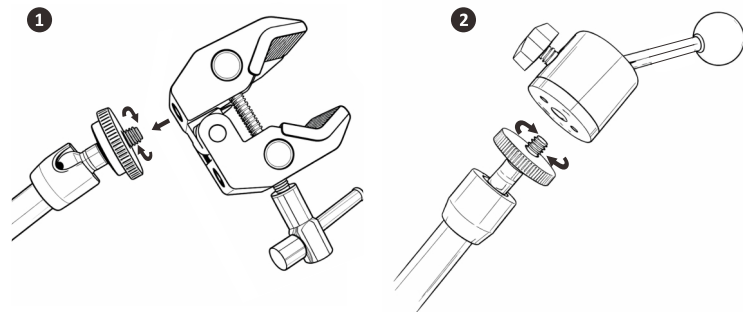
## INSIDE THE BOX

Clamp ×1      Magic Arm ×1      Ball Head ×1      Phone/Tablet Holder ×1

## INSTALLATION STEPS

### 1. Attach the Magic Arm

Connect one end of the magic arm to the clamp and the other end to the ball head, then tighten all connections.

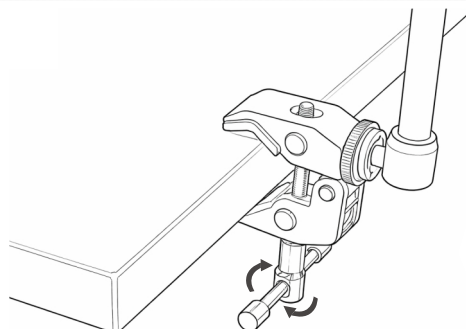


### 2. Install the Holder

Mount the phone/tablet holder onto the ball head and ensure all connections are firmly tightened.

### 3. Secure the Clamp

Attach the clamp to a stable surface such as a desk, bed frame, or pole, then tighten the knob securely.

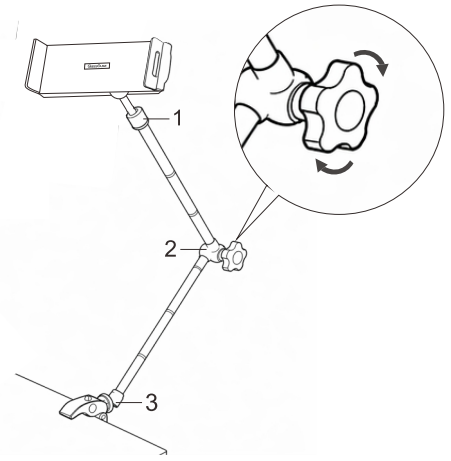


#### 4. Adjust the Position

- **Main Knob of the Magic Arm**

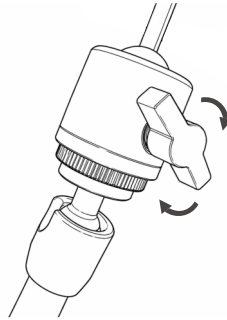
Loosen the main knob of the magic arm, adjust it to the desired position, and tighten it.

**Note:** Positions 1, 2, and 3 indicate the rotatable adjustment and lock points of the magic arm. Rotate them to loosen, adjust, and tighten.



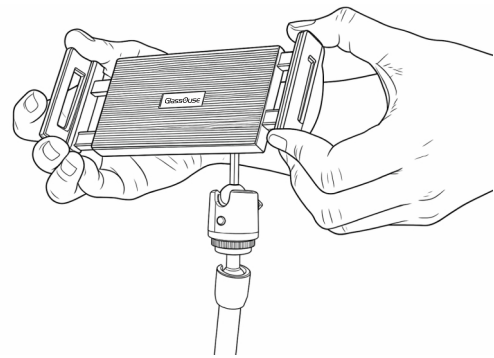
- **Ball Head Side Knob**

Loosen the side knob of the ball head to fine-tune the device angle, then tighten it again.



#### 5. Insert the Device

Pull the holder arms apart, place your device inside, and gently release the arms to secure it. The holder supports both portrait and landscape viewing.



#### CAUTIONS

- Before use, ensure all knobs are tightened to prevent the device from falling.
- Do not exceed the maximum load of 800g to avoid damage or accidents.
- Always loosen the corresponding knob before adjusting the angle. Do not force any joint.
- Do not clamp onto glass, overly thin, or fragile surfaces.
- Keep out of reach of children to avoid pinching or injury.

**Manufacturer:** EnnoPro Group Limited  
**Address:** 7th Floor, Huarong Building, Qiaolian East, Bulong Road, Longgang District, 518129, Shenzhen, Guangdong, China

**Phone:** 0086-755-89205835  
**Mail:** support@glassouse.com  
**Web:** www.glassouse.com